



Corgi for Automobili
After Sales Selected Partners Project



CATALOG 02-2024

THE SECRET OF LEADERSHIP

Understanding the needs of the market, working alongside the customer, identifying solutions of the highest professional level: for over 40 years Corghi's philosophy has been based on the constant pursuit of maximum customer satisfaction.

Corghi is an **international leader**, producing a friendly product that is the result of a strategy of total quality. This company culture, developed thanks to decades of innovation, translates concretely into reliable, efficient and versatile solutions employed in a rational organisation of production processes and widespread service that is always available to respond to specific professional needs.

Corghi competes in the global market of vehicle assistance equipment, tyre changers, wheel balancers, aligners, lifts and technical control lines.

Important businesses that have chosen to partner with Corghi include major airlines, the most competitive automotive and motorcycle teams, large specialised car workshops and the most qualified tyre mechanics. Corghi's customers include small- and medium-sized companies and giants of the automotive and tyre industries.

In 1994 Corghi was the first company in the sector to earn ISO 9002 certification. Another first came in 1997 with the

consolidation of its quality system and receipt of ISO 9001 certification, which recognises the compliance of all stages from planning to production with quality standards.

Corghi's organisation is oriented by its nature to the rapid solution of problems. The company's structure is agile and dynamic, and the personnel's responsibilities are based on multitasking. At Corghi the search for quality is shared by the operators, incorporated into the production process and the means of production.

The continuous pursuit of excellence and flexibility is the driving force behind Corghi's development: personnel training nurtures talent, investing in the professionalism of customers, suppliers and collaborators, offering ongoing training programmes to remain on the cutting edge.

In fact, **the group's team spirit**, enthusiasm and unity are the real secrets of the company's success. Offering the guarantee of a product created to respond to a specific need. This is the challenge that Corghi operators have passed down from generation to generation and that the company continues to face.

Every single day

A GREAT TEAM



	PAGE
TYRE CHANGERS	
Car tyre changers	4
Car tyre changers accessories	12
WHEEL BALANCERS	
Wheel balancers	13
Wheel balancers accessories	19
WHEEL ALIGNMENTS	
Wheel alignments	21
Wheel alignments accessories	22
LIFTING EQUIPMENT	
Scissor lifts	23

AVAILABLE COLOURS

RAL 9005



Nero /90

Universal automatic tyre changer with diagnostic functions

WHEEL DIAGNOSIS
Automatic diagnostic tyre changer with "leva la leva" technology for car, SUV and commercial vehicle wheels up to 32". Apart from the usual tyre demounting and mounting operations, it also carries out a complete diagnosis of the individual wheel (up to 28") and/or the entire wheel set of the vehicle, analysing the geometry with and without a load and simulating on-road behaviour. It suggests the best tyre-rim coupling (MATCH-MOUNTING) to improve the driver's comfort and safety.

iPos
INTELLIGENT POSITIONING

LEVLA LEVA
TECHNOLOGY

mi
MATCH MOUNTING

Presser roller with variable load, for measuring radial and lateral force variation enables to perform structural analysis of the wheels

22" monitor included

Multi-function command console fitted with NAVISYSTEM for high-speed, intuitive navigation in the various wheel diagnosis menus

Dynamic bead-breaking device with dual opposed bead-breaker discs. The radial positioning of the discs is automatic.

Max. 1200 mm (47")

Tyre capacity

Tyre Changers 12"-32" Uniformity 14"±28"

Rim capacity

Kg. 85

Max. wheel weight

The laser triangulator enables geometric measurement of the rim and tyre

Integrated fully articulated lifter with 85 Kg max. load capacity

Special high-precision centring and clamping kit for every type of wheel

Standard accessories (always supplied)

Pick-up rim kit

Kg. 541

2057 mm.

1569 mm.

1765 mm.

Max overall dim.

Description	Code	Electrical supply
ARTIGLIO UNIFORMITY	0-15100152/90+ 8-21100209	230V - 1Ph - 50/60Hz

Universal automatic tyre changer



The machine has 4 automated work cycles to make procedures increasingly fast, simple and absolutely safe for integrity of the rim and the tyre. MASTER CODE is compatible with all tyre types, from Run Flat-UHP tyres to both small and large balloon tyres. Wheel data self-acquisition and automatic work. Automatic tool positioning for manual cycle procedure wizards.



Interactive multifunctional TFT-LCD TOUCH SCREEN interface with microprocessor control. USB port for software databases update, and for loading files and videos. Playback capability for demonstration videos, scheduled maintenance reminder, self-diagnosis, sensor state check and fault indication. Camera active during automatic work cycle



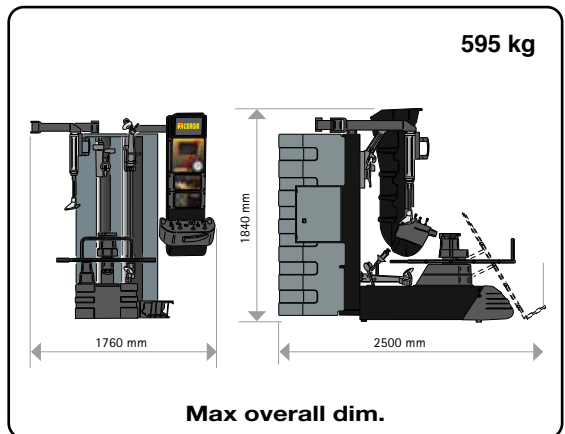
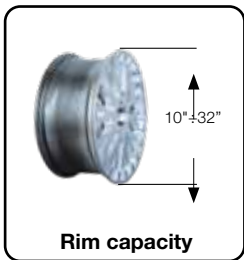
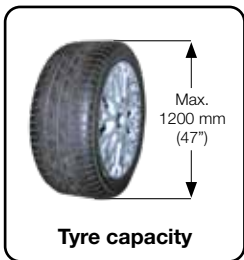
SMART CORGHI SYSTEM demounting procedure

- minimised tyre stress
- absolutely NO contact with rim!!!
- automated, synchronised tyre demounting and mounting

Integrated fully articulated lifter with 85 Kg max. load capacity



Freely adjustable mobile control console. Simple, quick and intuitive controls



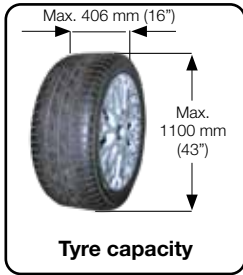
Description	Code	Electrical supply
ARTIGLIO MASTER CODE	0-11108542/90 + 8-21100209 + 8-15100003	200-230V / 1Ph / 50-60Hz

Universal automatic tyre changer

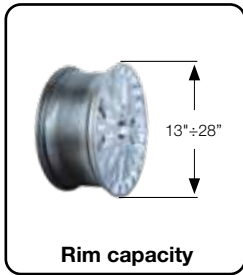


Tyre changer with "Leva la Leva" technology for passenger car, SUV and light transport vehicle wheels.

Complete with wheel lift, pneumatic bead presser and van wheel kit.



Tyre capacity



Rim capacity



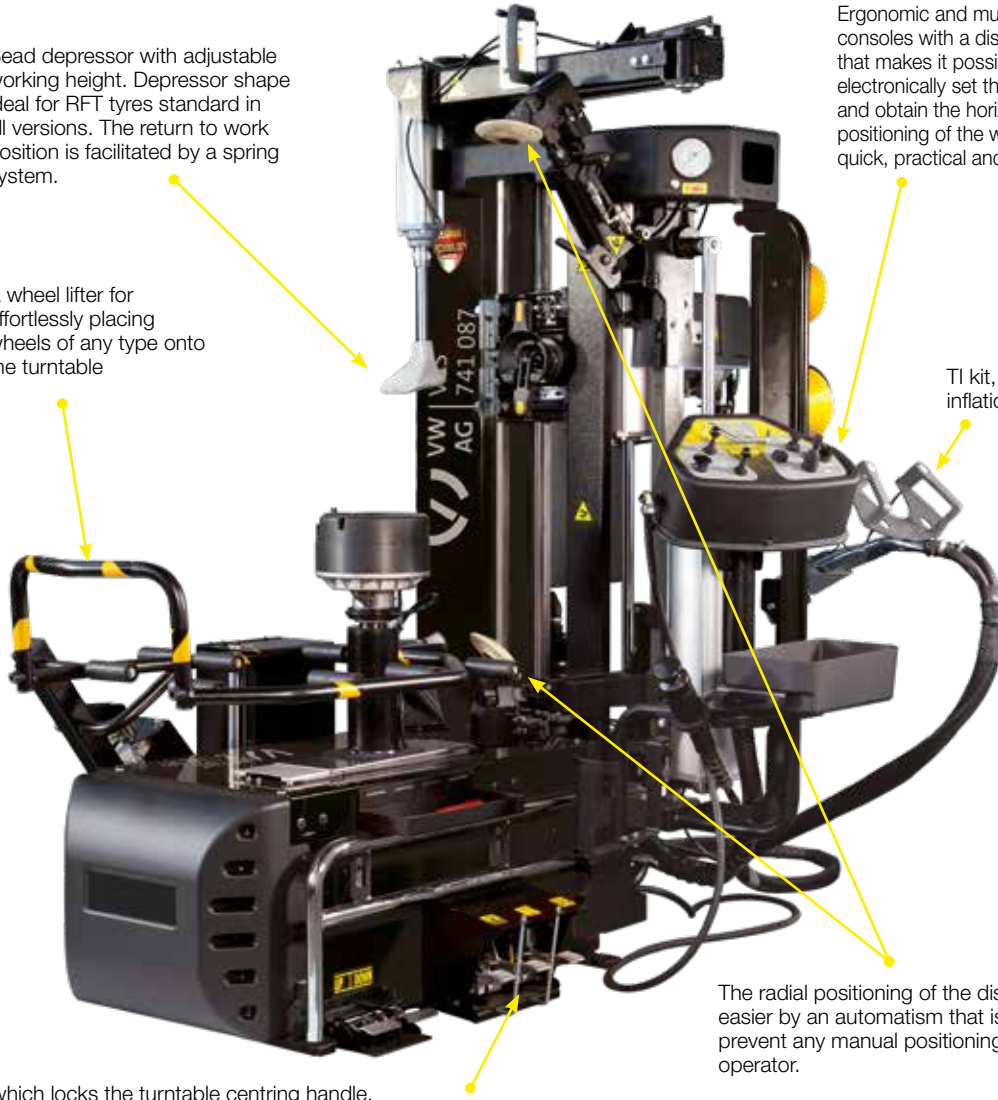
Max. wheel weight

Bead depressor with adjustable working height. Depressor shape ideal for RFT tyres standard in all versions. The return to work position is facilitated by a spring system.

A wheel lifter for effortlessly placing wheels of any type onto the turntable

Ergonomic and multifunctional consoles with a display that makes it possible to electronically set the rim diameter and obtain the horizontal positioning of the work tools in a quick, practical and safe manner.

TI kit, quick inflation system



The radial positioning of the discs is made easier by an automatism that is able to prevent any manual positioning by the operator.

Pressed to release the system which locks the turntable centring handle. In its rest position, the system which clamps the turntable centring handle is normally active. The pedal is used during positioning and clamping of the wheel on the turntable, and to release the wheel when the job is done.



Standard accessories (always supplied)



Pick-up rim kit



Net Kg. 440 (T.I. = 455 kg)

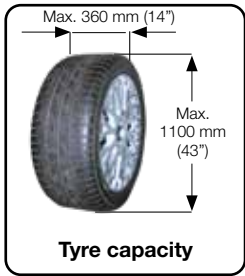
Max overall dim.

Description	Code	Electrical supply
ARTIGLIO MASTER 28 A Automatic	0-11119762/90 + 8-21100209 + 8-15100003	200-230V / 1Ph / 50-60Hz

Automatic tyre changer



Tyre changer with "Leva la Leva" technology for passenger car, SUV and light transport vehicle wheels. Exclusive Smart Corghi system with electronic wheel diameter preselection and automatic demounting/mounting tool and bead breaker disc positioning. **Complete with wheel lift, pneumatic bead presser and van wheel kit.**



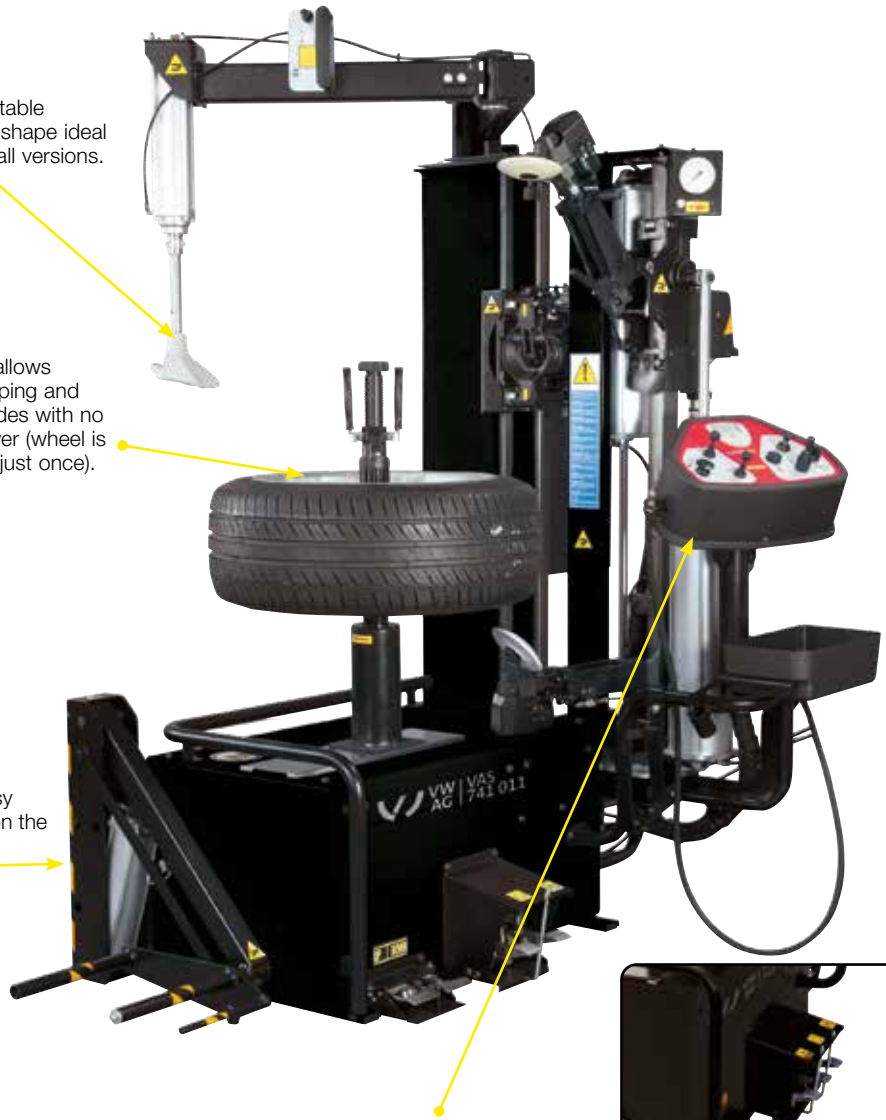
Bead depressor with adjustable working height. Depressor shape ideal for RFT tyres. Standard in all versions.



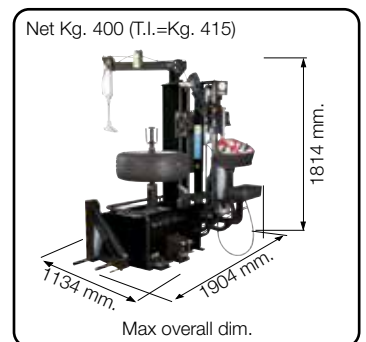
Axial mounting turntable allows quick, secure wheel clamping and bead breaking on both sides with no need to turn the wheel over (wheel is clamped on the machine just once).



Integrated pneumatically operated wheel lift for easy positioning of the wheel on the turntable.



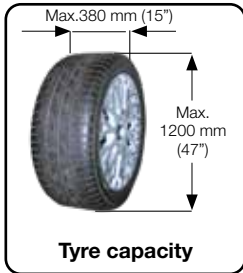
Ergonomic and multifunctional consoles with a display that makes it possible to electronically set the rim diameter and obtain the positioning of the work tools in a quick, practical and safe manner. Divided into three distinct work areas, it makes it easier to immediately recognize movements and makes the system easier to use for the operator.



Description	Code	Electrical supply
ARTIGLIO MASTER JOLLY	0-11116262/90 + 8-21100209 + 8-15100003	200-230V / 1Ph / 50-60Hz
ARTIGLIO MASTER JOLLY AUTOMATIC	0-11117762/90 + 8-21100209 + 8-15100003	200-230V / 1Ph / 50-60Hz

Automatic tyre changer

Automatic tyre changer with 2nd generation "Leva la leva" (leverless) technology



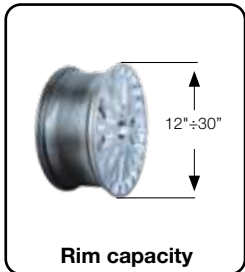
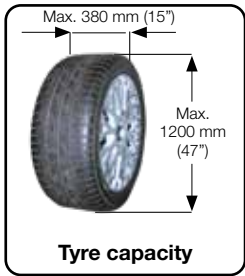
The multifunctional control console contains all the operating controls. Ideal for dynamic bead breaking and for rim and tyre match mounting, thanks to the two dual control discs.

Dynamic bead breaking device with dual specular bead breaker disc. The radial positioning of the discs is made easier by automation that prevents any manual positioning errors by the operator.



Description	Code	Electrical supply
ARTIGLIO 500 2V	0-11108222/90 + 8-21100209	200-230V / 1Ph / 50-60Hz

Automatic tyre changer



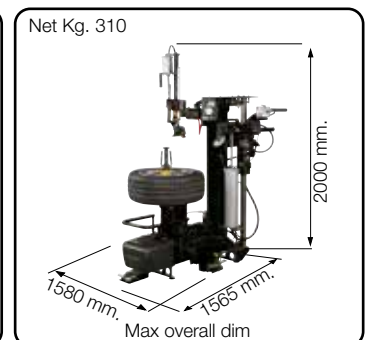
Bead breaking unit with automatic single arm featuring 180° tilting (Patent Pending): quick, accurate, repetitive bead breaking on both sides of tyre.

Control unit

Pneumatically operated side-swinging to locate the arm on the underside of the tyre.

Adjustable ring for lube paste container.

Axial mounting turntable allows quick, secure wheel clamping and bead breaking on both sides with no need to turn the wheel over (wheel is clamped on the machine just once).



Description	Code	Electrical supply
ARTIGLIO 50 2V	0-11105022/90 + 8-21100209	200-230V / 1Ph / 50-60Hz

Automatic tyre changer



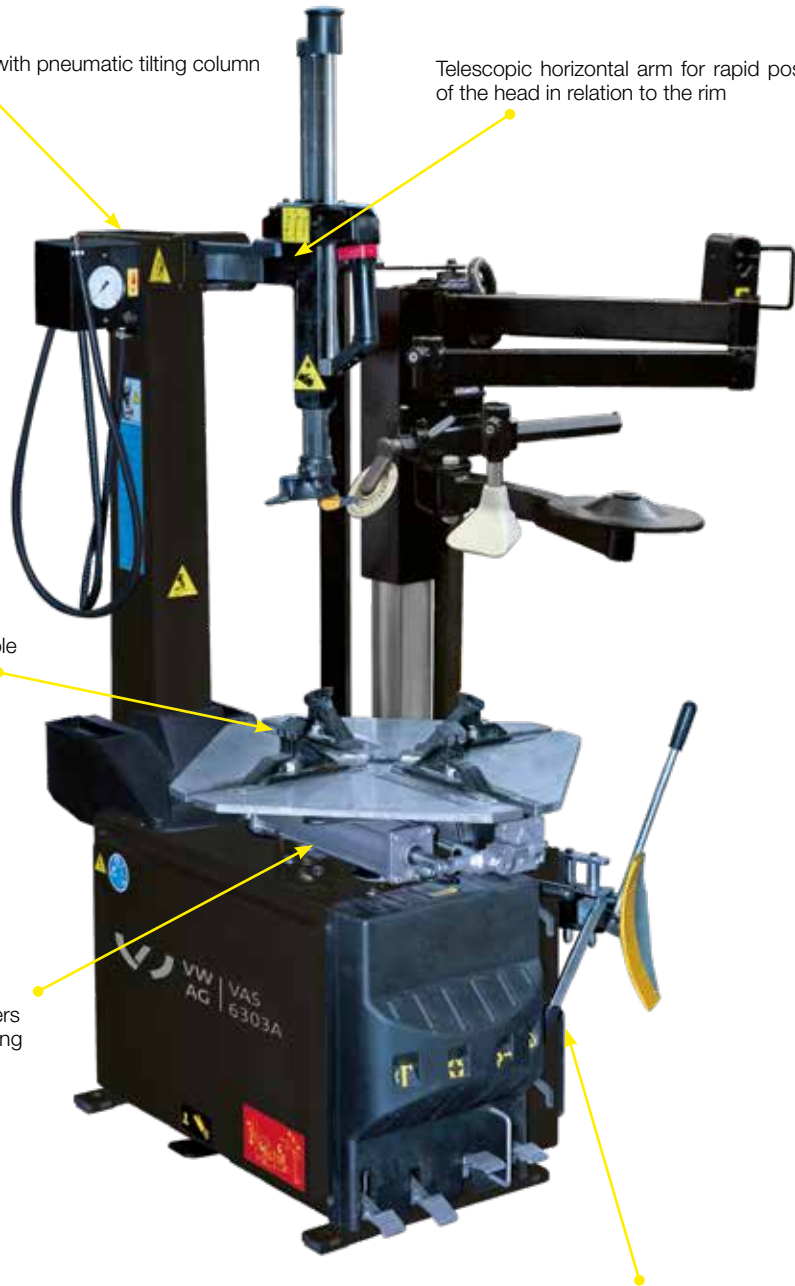
Automatic tyre changer with pneumatic tilting column

Telescopic horizontal arm for rapid positioning of the head in relation to the rim

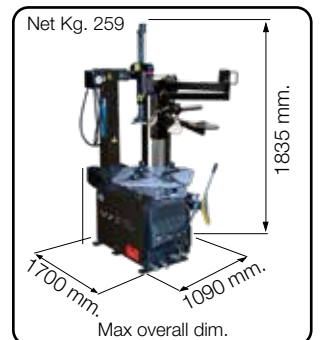
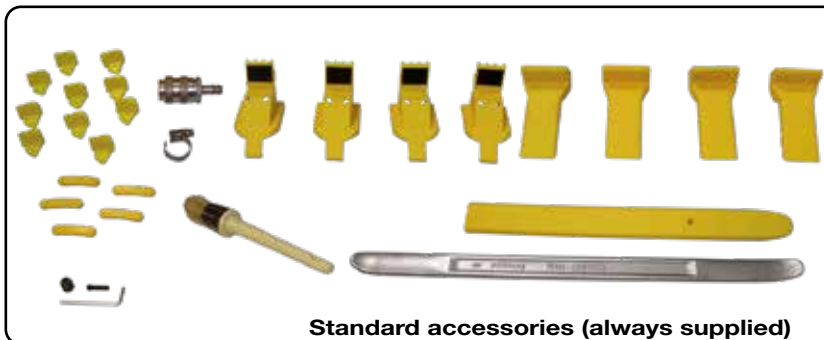


Sliding supports with interchangeable clamping zones

New turntable system with two pneumatic cylinders capable of clamping any type of rim securely

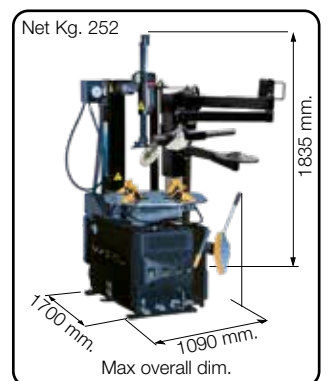
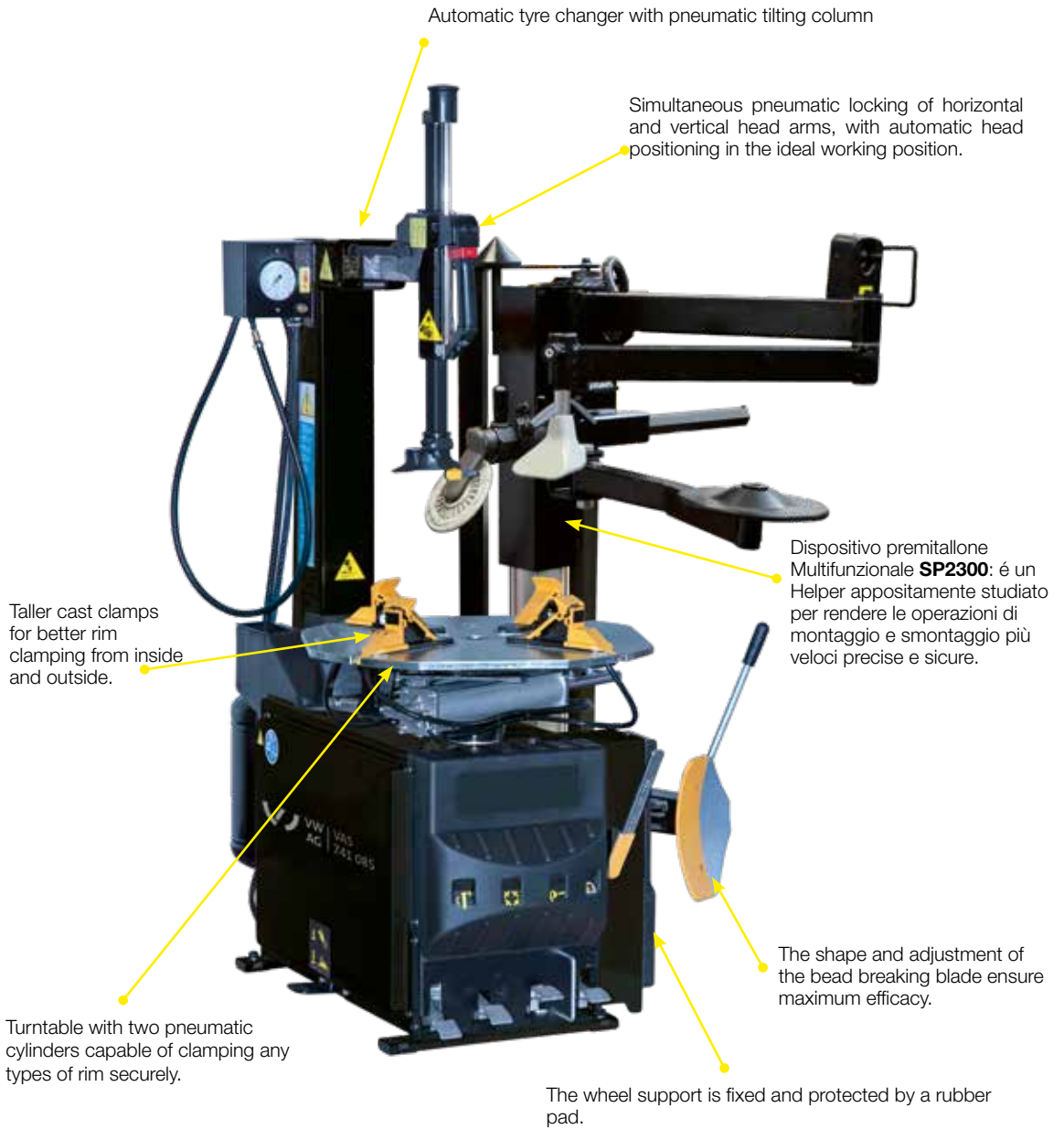


Dual-position telescopic bead breaker support for breaking the beads of wheels up to a maximum width of 14"



Description	Code	Electrical supply
A 2025 MI 2V	0-11101172/90 + 8-21100209	200-230V / 1Ph / 50-60Hz

Automatic tyre changer



Description	Code	Electrical supply
A 2018 MI 2V	0-11119322/90 + 8-21100209	200-230V / 1Ph / 50-60Hz

	DESCRIPTION	VAS 741 053	VAS 741 025	VAS 741 087	VAS 741 011	VAS 6722	VAS 6359A	VAS 6303A	VAS 741 085
	VAS 6722/1 • Code 8-11100221 Pneumatic bead pressing tool for VAS 6722 tyre changer.	-	-	-	o	-	-	-	-
	VAS 6359/1 • Code 8-11100097 Pneumatic bead pressing tool for VAS 6359 tyre changer.	-	-	-	-	o	-	-	-
	• Code 8-11100039 Reverse wheel flange (maximum wheelbase 183 mm). Extensions H = 100 mm	-	o	o	o	-	-	-	-
	• Code 8-11100237 AUTOLOCK II automatic clamping.	-	-	-	-	o	o	-	-
	• Code 8-15100007 Closed centre rims kit for flange with front fingers.	-	-	-	-	-	-	-	-

S = Standard o = Available - = Not available

Diagnostic wheel balancer for cars and light weight trucks



Space-saving wheel casing (patent pending) with automatic opening at end of spin. Designed to allow positioning of the wheel balancer against the wall and to accommodate wheels with diameter of up to 44" (1118 mm).

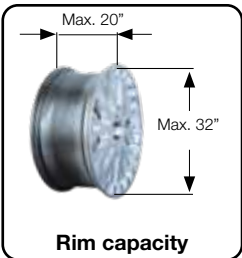
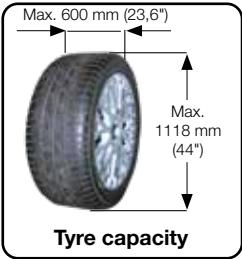
Contactless system for dimensions measurement

High precision laser sensors automatically measure all dimensions of the wheel in a few seconds during the measurement cycle

Standard 22" Monitor TOUCH

Contactless system for dimensions measurement

High precision laser sensors automatically measure all dimensions of the wheel in a few seconds during the measurement cycle



HPC
High precision collets

Rear splash guard with slots for additional accessories.



Ipos (intelligent positioning).

Special diagnostic tool for the vehicle wheel set monitoring:
-Tread wear-drift angles-run-out unbalance.
 Once all the wheels have been stored, eyelight proposes their optimal placement on the vehicle for maximum comfort and safety.

WM-Weight management Special programme collection including LESS WEIGHT which reduces work times (20%) and the amount of counterweights used (30%)

Automatic wheel clamping.
 New electromechanical system which reduces working times and increases centring precision.



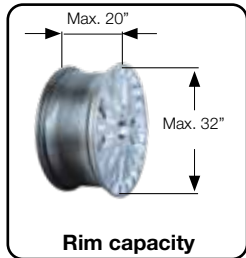
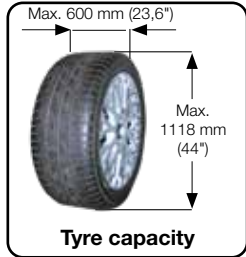
Description	Code	Electrical supply
EYE LIGHT Plus DiagnosticLine	0-21101102 /90 + 8-21100209	110/230V - 1Ph - 50/60Hz

Wheel balancer with touchscreen monitor, for cars and light weight trucks



32"

Space-saving wheel casing (patent pending). Designed to allow positioning of the wheel balancer against the wall and to accommodate wheels with diameter of up to 44" (1118 mm).



Touchscreen interface.

The graphical interface and touchscreen technology simplify and speed up operations and work programme selection.

Standard **22" Monitor Touch**

Contactless system for dimensions measurement

High precision laser sensors automatically measure all dimensions of the wheel in a few seconds during the measurement cycle

WM-Weight management

Special programme collection including LESS WEIGHT which reduces work times and the amount of counterweights used (standard)



AWD automatic sensor (Auto width Device) for contactless measurement of wheel width

Automatic wheel clamping.

New electromechanical system which reduces working times and increases centring precision.

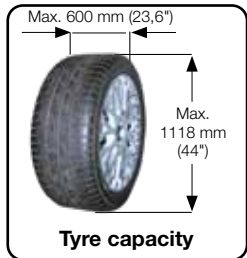


Description	Code	Electrical supply
EM 9780 C Plus AutomaticLine	0-21109785/90 + 8-21100209	110/230V - 1Ph - 50/60Hz

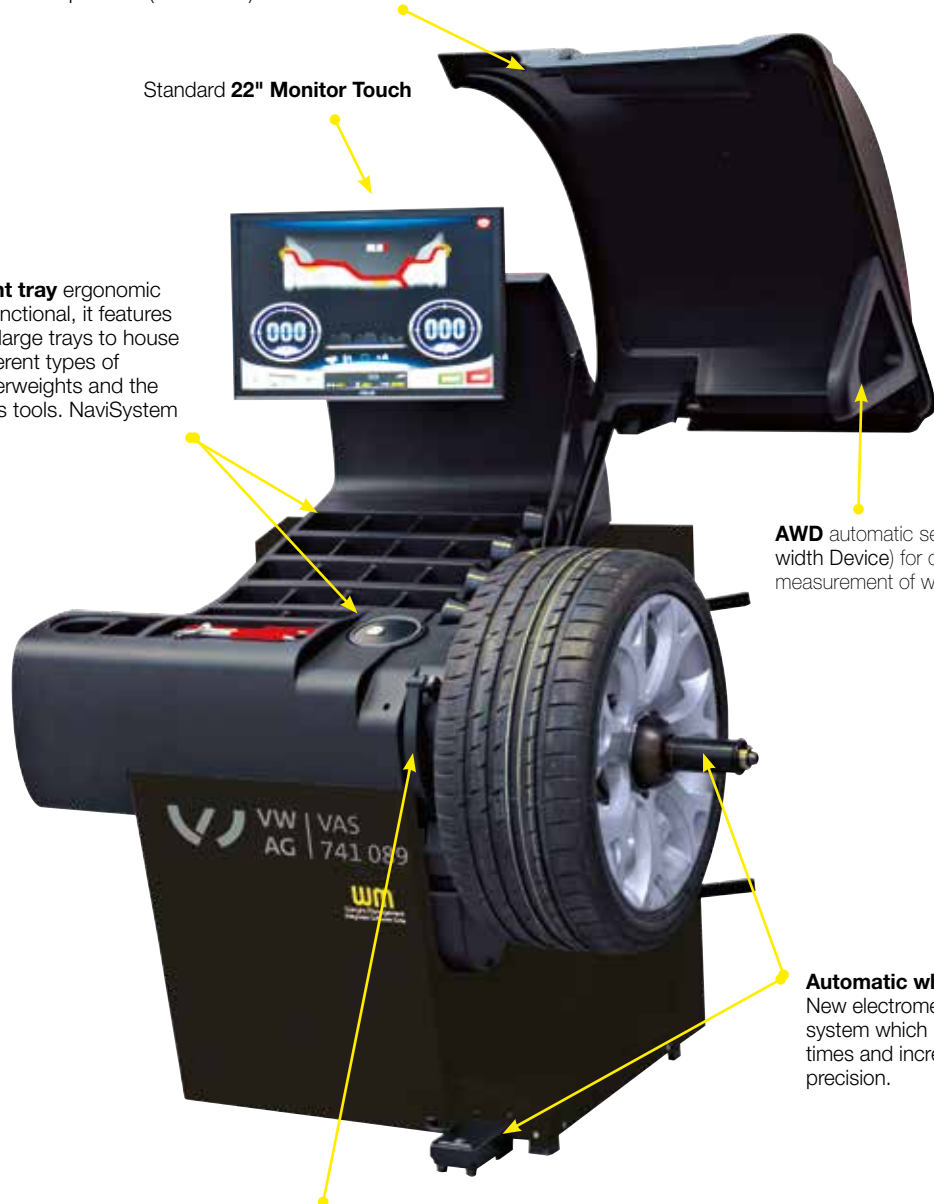
Electronic wheel balancer with 22" Wide monitor



Space saving wheel guard (patent pending) designed to allow the positioning along the wall, it also permits to hold wheels up to 44" (1.118 mm) maximum diameter



Weight tray ergonomic and functional, it features many large trays to house all different types of counterweights and the various tools. NaviSystem



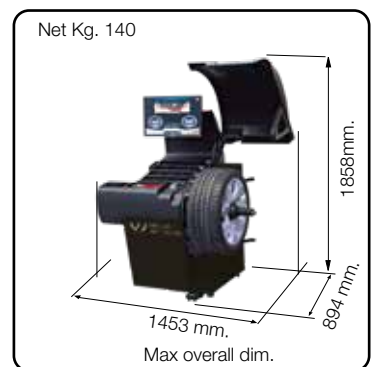
Standard **22" Monitor Touch**

AWD automatic sensor (Auto width Device) for contactless measurement of wheel width

Automatic wheel clamping. New electromechanical system which reduces working times and increases centring precision.

New digital gauge for acquisition of diameter and distance.

Maximum precision and smoothness with integrated FSP (Fast Selection Program) function which automatically activates the balancing programmes, avoiding keypad selection

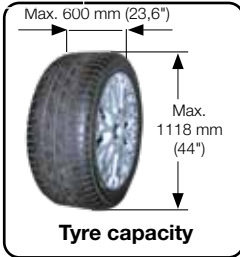


Description	Code	Electrical supply
EM 9580 C Plus Touchscreen	0-21109593/90 + 8-21100209	110/230V - 1Ph - 50/60Hz

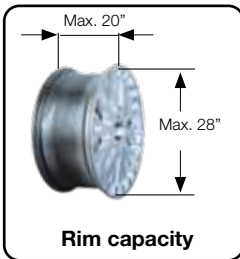
Electronic wheel balancer with display



Space saving wheel guard (patent pending) designed to allow the positioning along the wall, it also permits to hold wheels up to 44" (1.118 mm) maximum diameter



Tyre capacity



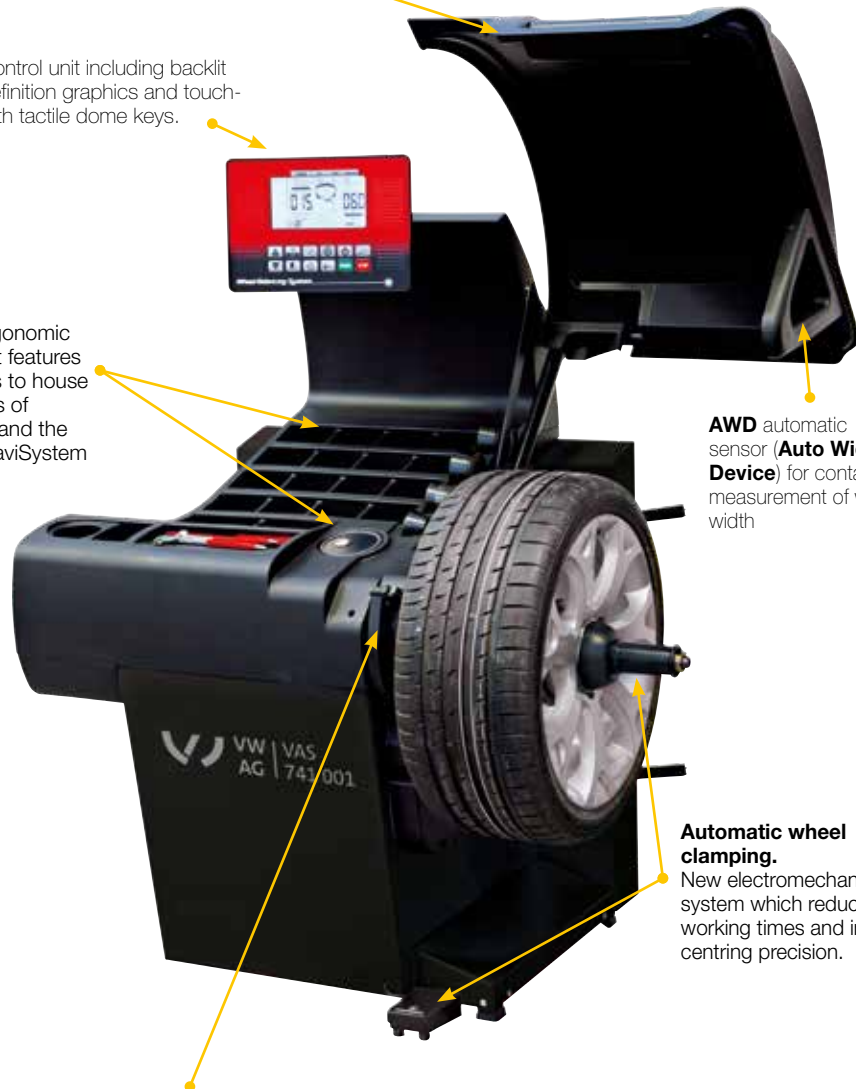
Rim capacity



Max. wheel weight

Display Panel - Control unit including backlit display with high-definition graphics and touch-sensitive keypad with tactile dome keys.

Weight tray ergonomic and functional, it features many large trays to house all different types of counterweights and the various tools. NaviSystem

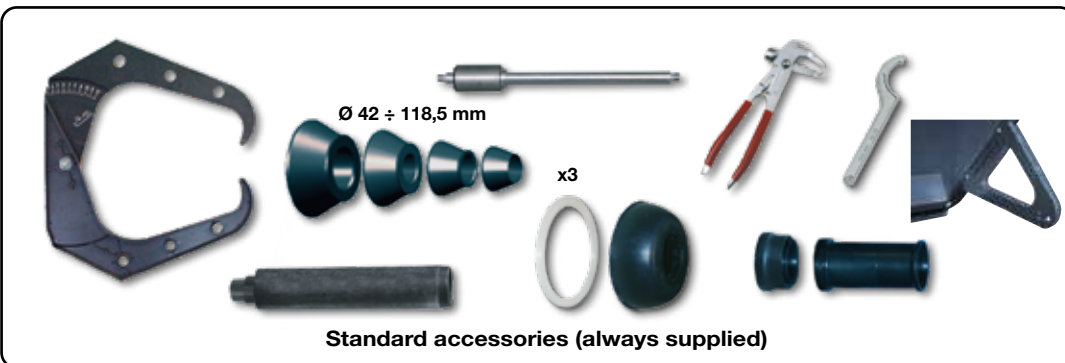


AWD automatic sensor (Auto Width Device) for contactless measurement of wheel width

Automatic wheel clamping. New electromechanical system which reduces working times and increases centring precision.

New digital gauge for acquisition of diameter and distance.

Maximum precision and smoothness with integrated FSP (Fast Selection Program) function which automatically activates the balancing programmes, avoiding keypad selection



Standard accessories (always supplied)



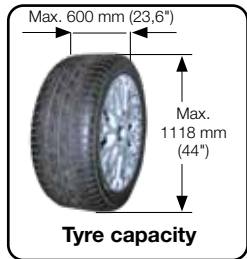
Net Kg. 140

Description	Code	Electrical supply
EM 9550 C Plus LaserLine	0-21109560/90 + 8-21100209	110/230V - 1Ph - 50/60Hz

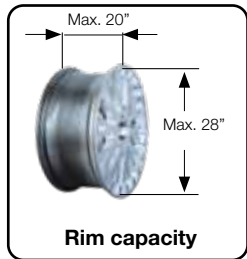
Electronic wheel balancer with display



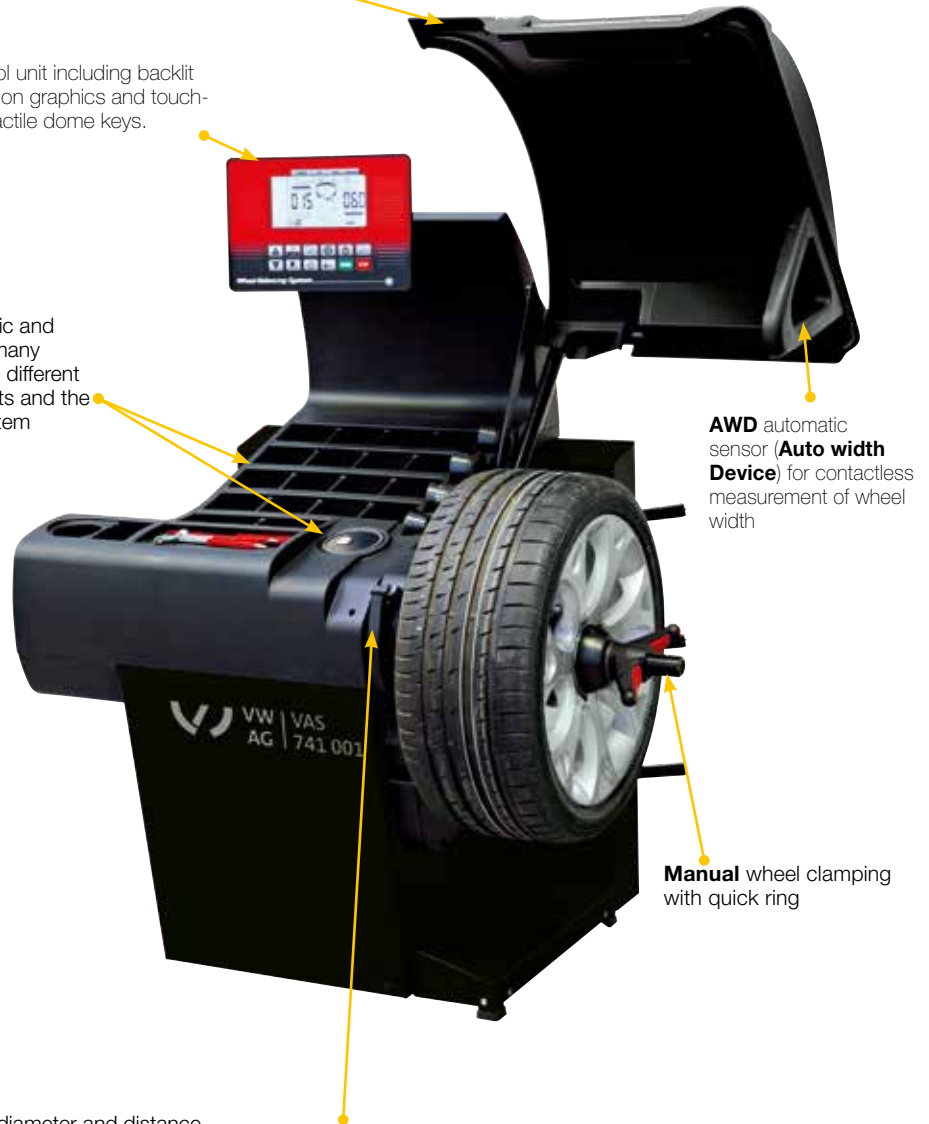
Space saving wheel guard (patent pending) designed to allow the positioning along the wall, it also permits to hold wheels up to 44" (1.118 mm) maximum diameter



Display Panel - Control unit including backlit display with high-definition graphics and touch-sensitive keypad with tactile dome keys.



Weight tray ergonomic and functional, it features many large trays to house all different types of counterweights and the various tools. NaviSystem



New digital gauge for acquisition of diameter and distance.

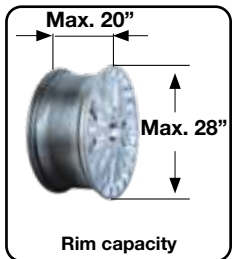
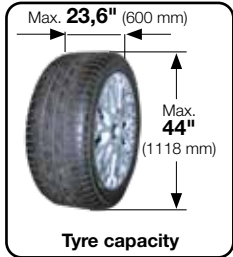
Maximum precision and smoothness with integrated FSP (Fast Selection Program) function which automatically activates the balancing programmes, avoiding keypad selection



Description	Code	Electrical supply
EM 9550 Plus LaserLine	0-21109558/90 + 8-21100209	110/230V - 1Ph - 50/60Hz

Electronic wheel balancer with display

A **double display** control panel enables a quick and intuitive selection of the balancing mode and immediate access to the most common operating functions.



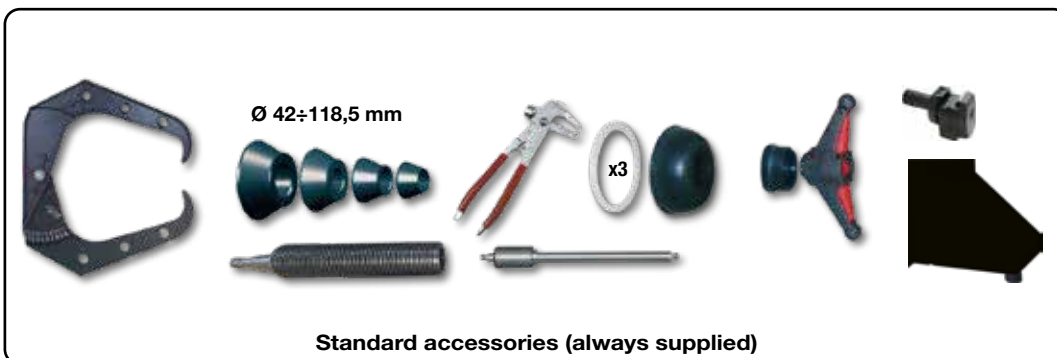
The spin unit was originally used on superior models and provides precision and functionality characteristics typical of the higher range of wheel balancers. The innovative drive and zero maintenance ensure maximum reliability.

Plus Version

WHEEL DIMENSION DETECTION	AWC – AUTO WIDTH CALCULATION	ELECTRONIC WIDTH SENSOR BRAKE	LED ILLUMINATOR AND LASER	PEDAL BRAKE
S	S	O	O	O

S STANDARD

O OPTIONAL



Description	Code	Electrical supply
EM 9250 CompactLine Plus	0-21192554/90 + 8-21100209	200/230V - 1Ph - 50/60Hz

	DESCRIPTION	VAS 741 093	VAS 741 091	VAS 741 089	VAS 741 001	VAS 741 001	VAS 741 033
	<p>Code 8-21100080 ARF Accessory for of-road wheels</p>	S	S	S	S	S	S
	<p>Code 8-21100091 FRU-SA D.40 Universal flange for wheels with or without central hole</p>	O	O	O	O	O	O
	<p>Code 8-21100082 SBC Set of six centring bushes ø 40 mm</p>	O	O	O	O	O	O
	<p>Code 8-21100159 Clip for assisted application of adhesive weights</p>	-	-	S	S	S	O
	<p>Code 8-21100191 CB Pedal clamping brake</p>	-	-	-	-	-	O
	<p>Code 8-21100074 EG1 Width wheel measurement (only for EM 9250 Professional).</p>	-	-	-	-	-	O

S = Standard **O** = Available - = Not available

	DESCRIPTION	VAS 741 093	VAS 741 091	VAS 741 089	VAS 741 001	VAS 741 001	VAS 741 033
	Code 8-21100161 TT80 Universal pneumatic lifter, max load kg 80	o	o	o	o	o	o
	Code 8-21100163 FTT1 Mounting kit for TT80	-	-	-	-	-	o
	VAS 741 093/1 • Code 8-11100230 TT0 Automatic selfbalancing wheel lifter, 80 kg capacity	o	o	o	o	o	o
	Code 8-21100231 Mounting kit	-	-	-	-	-	o
	Code 8-21100158/90 Foot for installation without anchoring to floor (Maximum wheel weight is limited to 50 Kg with the foot installed)	-	-	-	-	-	o
	Code 8-21120005 PR Inkjet USB printer	o	o	o	o	-	-
	Code 8-21100236/90 PRS Printer support kit	o	o	o	o	-	-
	Code 8-21100232 AWD kit for wheel width measurement by Sonar sensor	-	-	o	o	o	-
	Code 8-21100238 Laser & Led kit	-	-	-	-	-	o

S = Standard **O** = Available **-** = Not available

For any other optional accessory, please refer to the official Price List of CORGHI

Computerised wheel aligner with 8-CCD-Radio



Suitable for the VAS 6430, equipment for the verification and calibration of driver assistance systems (ADAS). Also compatible with the previous VAS 6041 and 6190 tools



Description	Code
EXACT 7000 PLUS II - Radio	0-33108301/90

	DESCRIPTION	VAS 6090 F
	<p>Code 8-33100159 Carbon brackets 10" to 26" for cars</p>	○
	<p>Code 8-33100039 Set of 4 double profile pins for car wheel brackets</p>	○
	<p>Code 803359301 Adapter pin (2 pieces needed).</p>	○
	<p>Code 8-33100063 Databank Update (excluding calibration, only for Exact 7000 PLUS).</p>	○
	<p>Code 803259796 Databank Update (excluding calibration, only for VAS6090 - Exact 6800).</p>	○

S = Standard **○** = Available **-** = Not available

For any other optional accessory, please refer to the official Price List of CORGHI

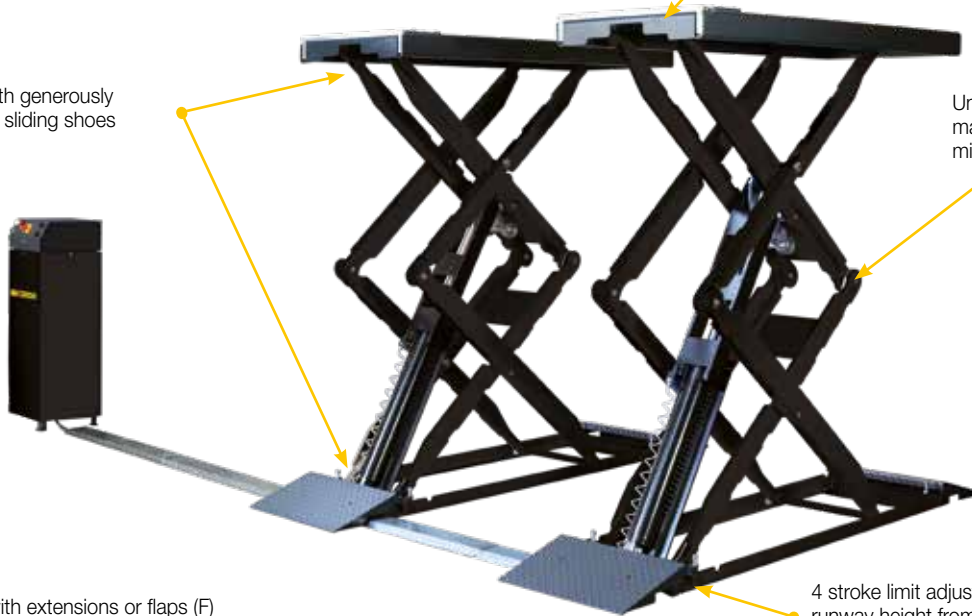
Low profile dual scissor lifts

Electro-hydraulic lifts with automatic runway levelling system with MASTER/SLAVE hydraulic circuit

Runway and base with generously sized, self-lubricating sliding shoes

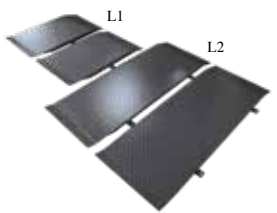
Runway with slide-out extension for precise length adjustment

Unique arm geometry for maximum stiffness and minimised space usage

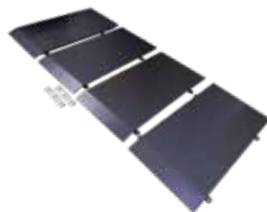


Runboards version with extensions or flaps (F)
Low profile configuration for on-floor or flush installations (I).

4 stroke limit adjuster screws for minimum runway height from floor, for perfectly level runways when lowered



cod. 8-41100206
- Set of long ramps for the floor version
L1 = 800 mm - L2 = 1300 mm



cod. 8-41100207
- Set of long ramps for the floor version
L = 1000 mm



cod. 8-42300047
- Pair of beams for all-terrain vehicles



cod. 8-42300027
- Kit of 4 rubber blocks height 80 mm

RECOMMENDED ACCESSORIES

AVAILABLE VERSIONS	ERCO 635 FS	ERCO 635 S	ERCO 635 F	ERCO 635	TECHNICAL SPECIFICATIONS	ERCO 635 FS	ERCO 635 FSI	ERCO 635 S	ERCO 635 SI	ERCO 635 F	ERCO 635 FI	ERCO 635	ERCO 635 I		
Runways with flaps	✓		✓		Max load	3500 kg									
Runways with extensions		✓		✓	Raising time	40 s									
Dual hydraulic circuit (master/slave) runway alignment control			✓	✓	Lowering time	40 s									
Runway alignment system with electronically controlled hydraulic circuit	✓	✓			Pneumatic power supply	4-10 bar				-					
Mechanical racks	✓	✓			Max. lifting height	2000 mm	1900 mm	2000 mm	1900 mm	2000 mm	1900 mm	2000 mm	1900 mm		
					Motor power	3 kW									
					Power supply	230-400V 3ph 50-60Hz 230V 1ph 50Hz									



CORGHI

NEXION SPA - ITALY -

www.corgi.com - info@corgi.com